

lighting
muller
van severen

valerie^{objects}



valerie^{objects}

valerie_objects is an Antwerp-based design label initiated by Axel Van Den Bossche and art director Veerle Wenes, combining their professional and personal tastes for all things good and beautiful.

By allowing designers, architects and artists to translate their signature style into tangible objects, **valerie_objects** has become a unique collection of everyday items with out-of-the-box aesthetics. These are objects people truly get entangled with.

**authentic
thinking
and creative
minds
are at the heart
of the label**



Since 2011, **Muller Van Severen**, the design practice of Fien Muller and Hannes Van Severen, has been on an inspired quest for sculpturally interesting furniture objects – items that are spontaneous and produced with apparent effortlessness. The universe they create together dovetails quite naturally with their work as separate artists. Muller Van Severen is the first artist duo signed with valerie_objects.

—
photo by Mirjam De vriendt

muller van severen

Although most design lovers know of Muller Van Severen for their furniture, the design couple's story actually kicked off with the conception of these hanging lamps. "It all started out of necessity", Hannes explains. "We were working in our new home which is an old house. Above the table there wasn't a socket in the ceiling to stick a lightbulb in, so we designed a lamp that could hang from the wall".

Like all Muller Van Severen's furniture, the lamps add a sober but colorful line to the interior. On one hand the sober design doesn't draw too much attention, on the other hand its playful character does tingle the eye. The lamps create space rather than filling it up.





hanging lamps
nr 1 / 2 / 3 / 4 / 5
different colours

hanging lamps n° 1/2/3/4 by
muller van severen

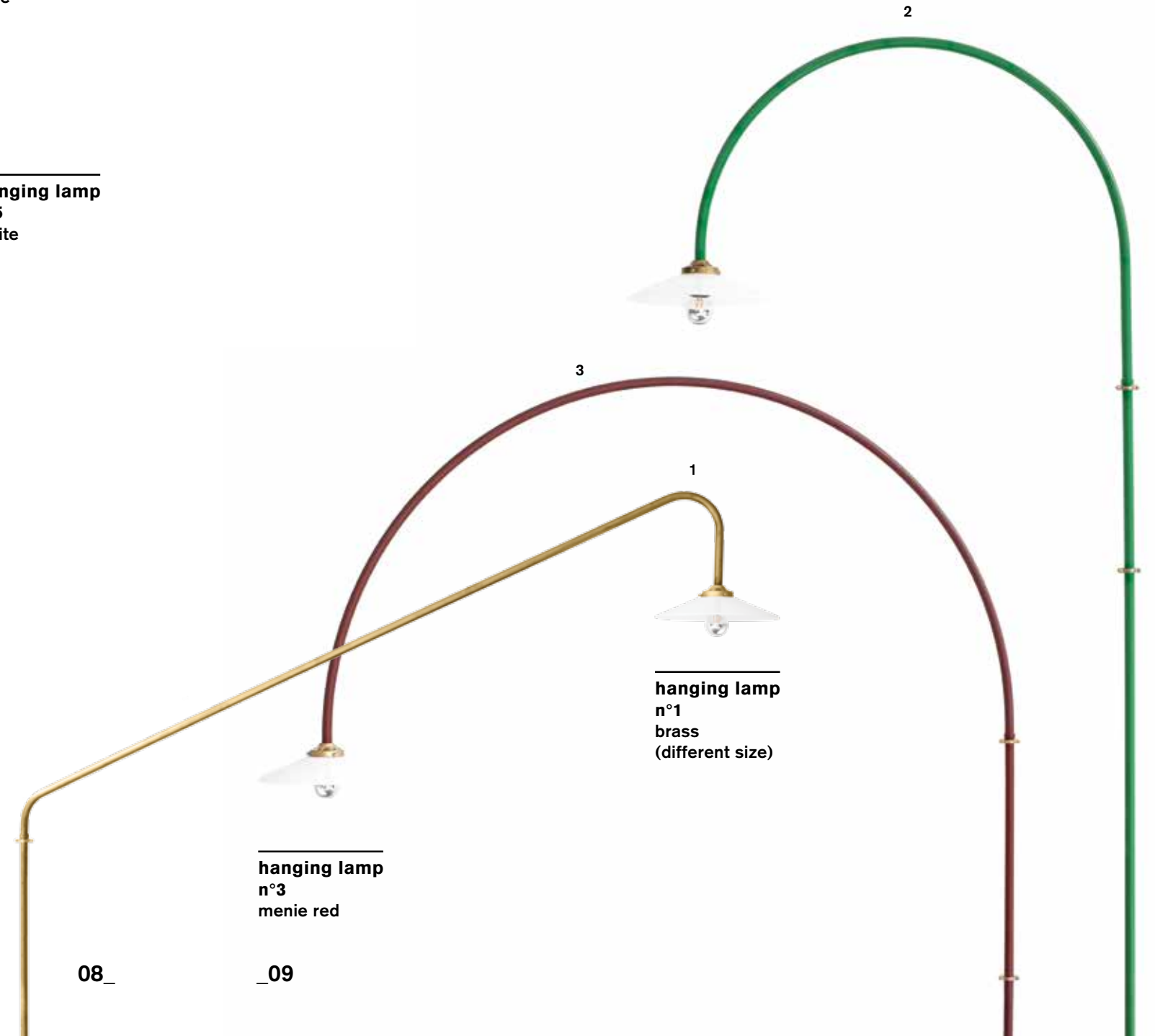


hanging lamp
n°1
unlacquered

hanging lamp
n°4
blue

hanging lamp
n°5
white

hanging lamp
n°2
green



hanging lamp
n°1
brass
(different size)

hanging lamp
n°3
menie red

08_

_09



ceiling lamp
n°1/2/3
brass



ceiling lamp
n°1
black
n°2
brass



**_we make sure
our designs
remain objects
and don't become
'products'.** —muller
van severen

ceiling lamp
n°1/2/3
black



standing lamp
n°1
brass

14_



standing lamp
n°1
lacquered steel
black
green

_15



hanging lamps n°1/2/3/4
by muller van severen

hanging lamps



hanging lamps

material:

- lamp frame in steel tube 18mm or brass tube 18mm.
- powder coated finish.
- wall brackets and lamp socket have a brass colour.
- lamp shade in white glass.
- LED light bulb / half mirror.

mounting instructions: product sheets available on the website

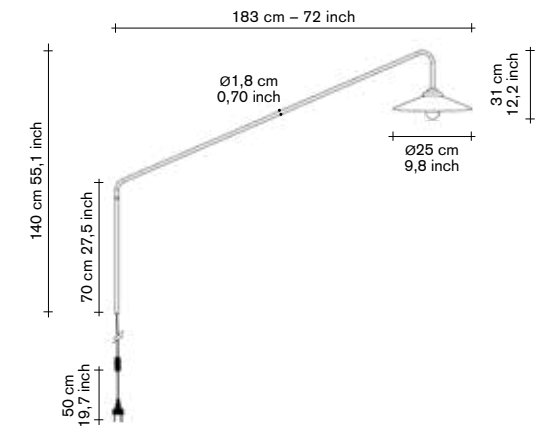
CE - certified

hanging lamps n°1/2/3/4
by muller van severen

hanging lamp n°1

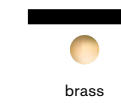
colours — hanging lamp n°1

unlacquered	green	blue	black	curry
V9015014U	V9015014G	V9015014B	V9015014Z	V9015014C

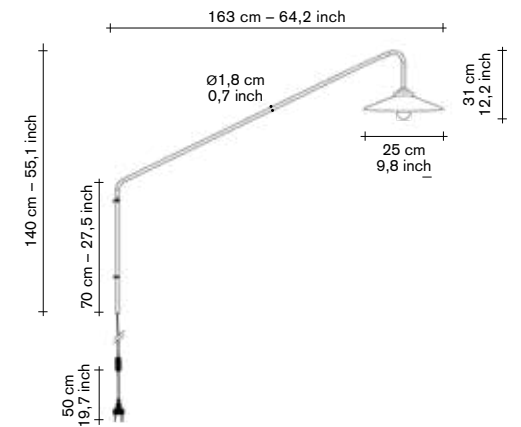


hanging lamp n°1/brass

— colours



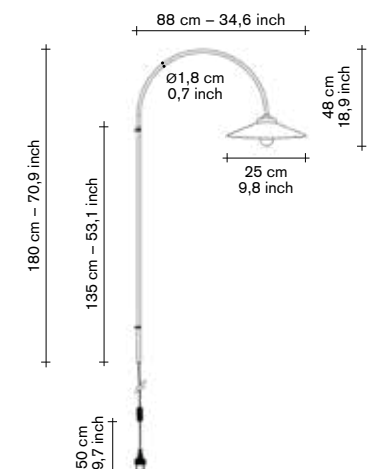
V9015014M



hanging lamp n°2

colours — hanging lamp n°2




unlacquered	green	blue	black	brass	curry
V9015015U	V9015015G	V9015015B	V9015015Z	V9015015M	V9015015C

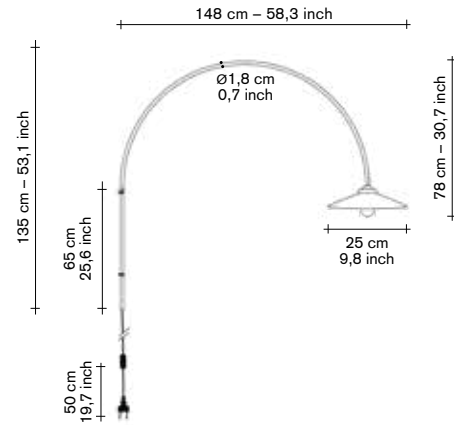


hanging lamps n°1/2/3/4
by muller van severen

hanging lamp n°3




colours — hanging lamp n°3

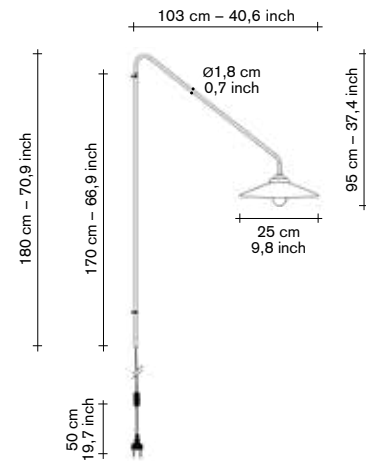
		
ivory	menie red	black
V9015030I	V9015030R	V9015030Z



hanging lamp n°4






colours — hanging lamp n°4

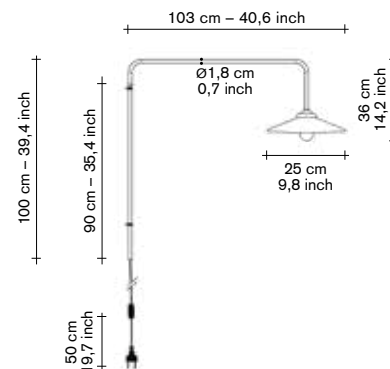
		
blue	black	brass
V9015031B	V9015031Z	V9015031M



hanging lamp n°5

colours — hanging lamp n°5

				
black	blue	green	brass	ivory
V9015032Z	V9015032B	V9015032G	V9015032M	V9015032I



standing lamp n°1
by muller van severen

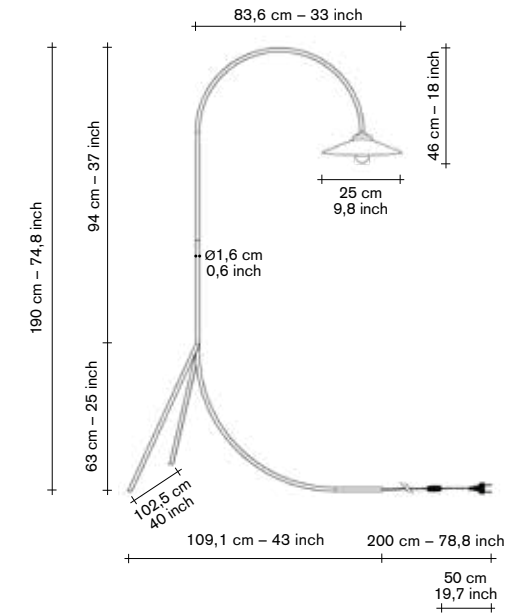
standing lamp n°1









standing lamp n°1

material:

- lamp frame in steel tube 16mm or brass tube 16mm.
- powder coated finish.
- lamp socket has a brass colour.
- lamp shade in white glass.
- LED light bulb / half mirror.



colours — standing lamp

					
blue	green	brass	curry	light grey	black
V9015013B	V9015013G	V9015013M	V9015013C	V9015013LG	V9015013Z

ceiling lamps



ceiling lamps

material:

- lamp frame in steel tube 18mm with black powder coated finish or brass tube 18 mm.
- ceiling brackets and lamp socket have a brass colour.
- lamp shade in white glass.
- LED light bulb / half mirror
- ceiling cap in white lacquered metal included within packaging: diameter 100mm / height 25mm



mounting instructions:

- the length of the wire has to be cut to the desired length. Each ceiling lamp will be delivered with a white ceiling cap. Always use the help of a skilled electrician to install all ceiling lamps.
- product sheets available on the website

CE - certified



ceiling lamp n°1

colours — ceiling lamp n°1

	
brass	black
V9018001M	V9018001Z



ceiling lamp n°2

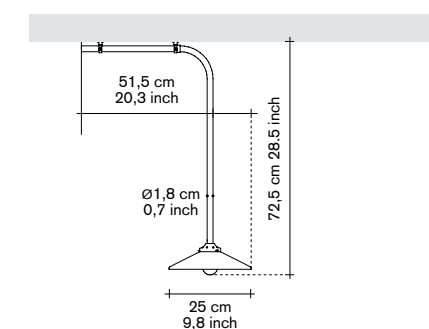
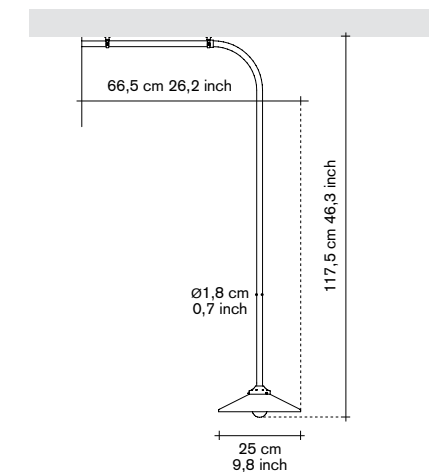
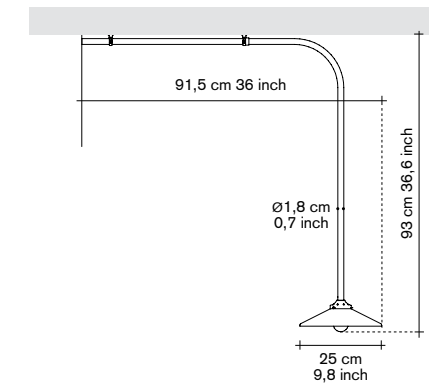
colours — ceiling lamp n°2

	
brass	black
V9018002M	V9018002Z

ceiling lamp n°3

colours — ceiling lamp n°3

	
brass	black
V9018003M	V9018003Z



contact

Veldkant 21
2550 Kontich — Belgium

T +32 3 458 05 82
F +32 3 458 05 84
info@valerie-objects.com

_general manager
Stephanie Rosseel
stephanie@valerie-objects.com
+32 499.40.18.74

—
press@valerie-objects.com

—
_art direction
Veerle Wenes

_product development
Jan Aerts

—
product sheets available
www.valerie-objects.com

_photography
Siska Vandecasteele
_graphic design
maff.be

more collections

_accessories
muller van severen / chris kabel /
D.D.Trans

_cutlery
maarten baas / koichi futatsumata
/ muller van severen

_furniture
muller van severen

_furniture
Robbrecht en Daem
architecten

_handwoven carpets
ivy / fran / lucy / frenzy
TheAlfredCollection

_pepper & salt
nendo / muller van severen /
maarten baas / studio wieki
somers / knutson & ballouhey

_shelf
n°1/2/3/4
muller van severen

All rights are reserved. No part of
this publication may be reproduced,
stored in a retrieval system or
transmitted in any form or by any
means, without the prior written
consent of the publisher. An
exception is made for short excerpts
which may be cited for the sole
purpose of reviews.



